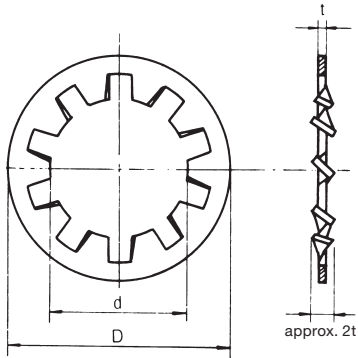


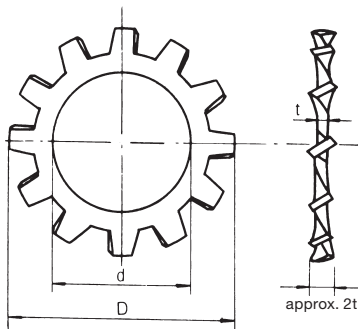


Unit : mm

Internal



External

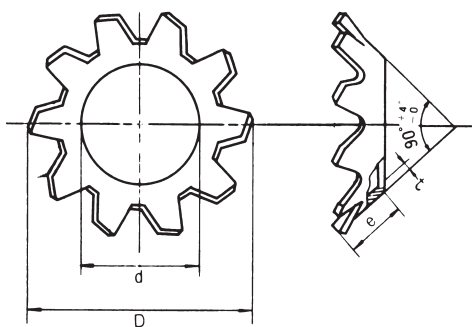


Dimensions Code		Nominals		d		D		t		Teeth			
Internal	External	Metric	Whitworth	Basic Size	Tolerance	Basic Size	Tolerance	Basic Size	Tolerance	Internal	External		
25020		2	—	2.2	+0.2 0	4.8	0 -0.3	0.3	±0.025	7			
25023		2.3	—	2.5		5.3		0.3		7			
25026	26026	2.6	—	2.8		5.8		0.3		7	8		
25030	26030	3	—	3.2		6.5		0 -0.4		0.45	±0.035	7	8
25035	26035	3.5	—	3.7		7.5				0.45		8	8
25040	26040	4	—	4.3		8.5				0.45		8	9
25045	26045	4.5	—	4.8		9.5				0.5		8	9
25050	26050	5	—	5.3		10		0 -0.4		0.6	±0.04	8	10
25060	26060	6	—	6.4		11				0.6		9	10
		7	—	7.4		+0.3 0		13		0 -0.5	0.8	±0.05	9
25080	26080	8	—	8.4	15		0.8	9	12				
25095	26095	—	3/8	9.8	17.5		0.9	9	12				
25100	26100	10	—	10.5	+0.4 0	18	0 -0.6	0.9	±0.055	9	12		
25110		—	7/16	11.4		19.5		0.9		10	12		
25120	26120	12	—	12.5	+0.5 0	21	0 -0.8	1	±0.07	10	12		
25127	26127	—	1/2	13		22.5		1		10	12		
25140	26140	14	—	14.5	+0.5 0	23	0 -0.8	1	±0.08	10	12		
25160	26160	16	5/8	16.5		26		1.2		12	14		
25180		18	—	19	+0.5 0	29	0 -0.8	1.2	±0.065	12	14		
25190		—	3/4	19.6		32		1.2		12	14		
25200		20	—	21	+0.5 0	32	0 -0.8	1.4	±0.07	12	14		
25220		22	7/8	23		35		1.4		14	16		
25240		24	—	25	+0.5 0	38	0 -0.8	1.6	±0.08	14	16		
25254		—	1	26		41		1.6		14	16		

Remarks 1. Number of teeth is a standard.
2. Avoid using the external toothed lock washer for Diameters less than 2.3mm

Unit : mm

Countersunk



Dimensions Code	Nominals	d		Approx.	Max.	t		Teeth
		Basic Size	Tolerance			Basic Size	Tolerance	
27030	3	3.2	+0.2 0	6	1.8	0.4	±0.035	8
27035	3.5	3.7		7	2.1	0.4		8
27040	4	4.3		8	2.5	0.4		8
27045	4.5	4.8		9	2.7	0.5		9
27050	5	5.3		10	3.1	0.5		9
27060	6	6.4	+0.3 0	12	3.8	0.5	±0.04	10
27080	8	8.4		16	5.1	0.6		12

Remarks 1. Number of teeth is a standard.

Notes 1. SUS304-CSP only.

Product code	125...Internal	Material code	02...SUS304-CSP		Part Number Structure (Standardized Product Code)				
	126...External		70...Spring Steel						
Surface code	01...Burnished (SUS304-CSP)		Hardness	HRC37 ~ 46 (SUS304-CSP)					
	30...Ep-Fe / Zn 5 / trivalent CM 2 (trivalent chromate) (Spring Steel)			HRC40 ~ 50 (Spring Steel)					