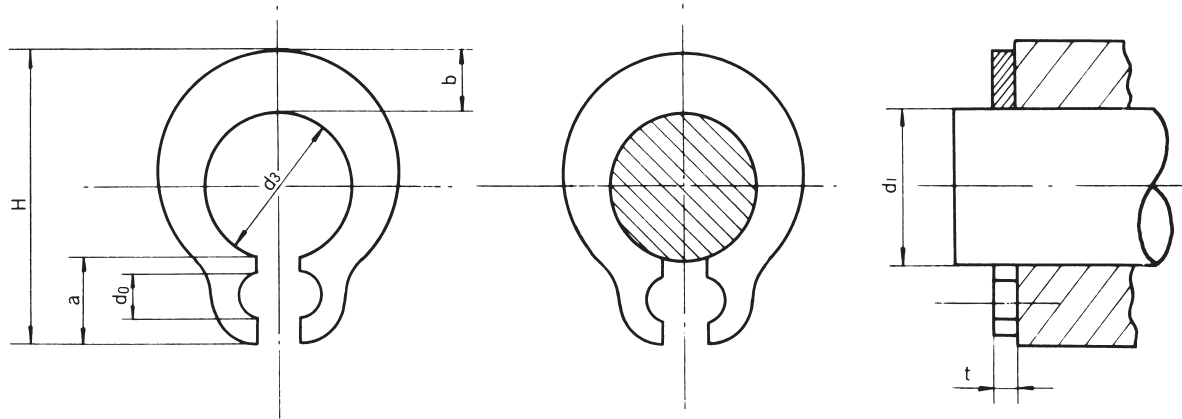


Grip Retaining Rings

JIS B2804 (Ref.)



Unit : mm

Dimensions Code	Nominals	Grip Retaining Ring Dimensions								Thrust Loading N	d: Applicable Shafts	
		d _s	Tolerance	t	Tolerance	b	a	d ₀	(H)		Basic Size	Tolerance
52015	1.5	1.40	+0.05 -0.08	0.3	±0.04	0.7	1.3	0.5	3.3	19.61	1.5	±0.025
52020	2	1.90		0.5		1	1.8	0.8	4.6	19.61	2	
52022	2.2	2.05		0.5		1.1	1.9	0.8	4.9	24.52	2.2	
52024	2.4	2.25		0.5		1.1	1.9	0.9	5.1	24.52	2.4	
52025	2.5	2.35		0.5		1.2	1.9	0.9	5.3	24.52	2.5	
52028	2.8	2.65		0.5		1.3	1.9	0.9	5.7	34.32	2.8	
52030	3	2.85		0.6		1.4	1.9	0.9	6	39.23	3	
52032	3.2	3.05		0.6		1.5	2	0.9	6.4	44.13	3.2	
52035	3.5	3.30		0.6		1.6	2	0.9	6.8	49.03	3.5	
52040	4	3.80		+0.05 -0.1		0.8	±0.05	1.8	2.8	1.2	8.3	
52045	4.5	4.25	0.8		2	2.9		1.3	9	68.65	4.5	
52048	4.8	4.60	0.8		2.1	2.9		1.3	9.5	73.55	4.8	
52050	5	4.75	±0.08	0.8	±0.05	2.2	2.9	1.3	9.7	78.45	5	±0.036
52060	6	5.70		1		2.4	3.1	1.4	11.1	93.16	6	
52063	6.3	6.05	±0.1	1	±0.06	2.5	3.1	1.4	11.5	93.16	6.3	±0.036
52070	7	6.70		1		2.7	3.3	1.4	12.6	93.16	7	
52080	8	7.70		1		3	3.5	1.4	14.1	112.78	8	
52090	9	8.65	±0.1	1.2	±0.06	3.3	4.7	1.5	16.5	147.10	9	±0.036
52100	10	9.65		1.2		3.5	4.7	2	17.7	156.91	10	

Remarks 1. Thrust Load listed above is for SUS304-CSP material.
2. Thrust Load measured using Cold Drawn Low carbon steel shaft.

Product code	152	Material code	02...SUS304-CSP		Part Number Structure (Standardized Product Code)									
			70...Spring Steel		Product	Surface								
Surface code	01...Burnished (SUS304-CSP)	Hardness	HRC37 ~ 46 (SUS304-CSP)		①	⑤	②	○	○	○	○	○	○	○
	05...Phosphate Coating (Spring Steel)		HRC46 ~ 51 (Spring Steel)		Material			Dimensions code						