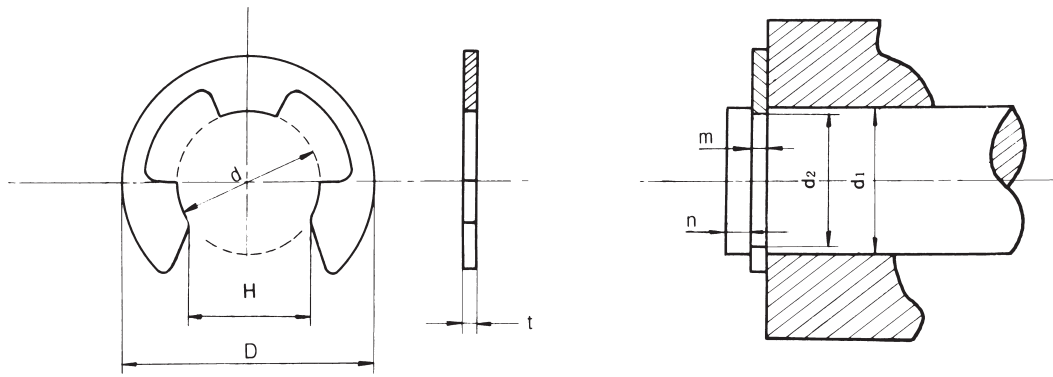


E-Type Retaining Rings/Taiyo Standard-B

Taiyo Standard



Unit: mm

Dimensions Codes	Nominals	Applicable Shafts d ₁	Dimensions of Retaining Rings						Groove Dimensions (Ref.)						
			Internal Diameter d		External Diameter D	H	Thickness t		Groove Diameter d ₂		With m	n Min.			
13007	0.7	1~1.2	0.65	+0.02 -0.07	2	0.59		0.2		0.7		0.25		0.4	
※ 13010	1	1.3~1.7	0.95	+0.05 -0.07	2.8	0.86	+0.02 -0.15	0.2	±0.03	1	+0.05 0	0.25	+0.07 0	0.6	
※ 13013	1.3	1.6~2.1	1.25		3.3	1.03		0.3		1.3		0.35		0.6	
※ 13017	1.7	2~2.6	1.65		4.2	1.5		0.4		1.7		0.45		0.8	
※ 13020	2	2.4~3	1.95		4.6	1.7	+0.02 -0.18	0.5		2		0.55		1	
※ 13024	2.4	2.9~3.8	2.35		6	2		0.6		2.4		0.68		1	
※ 13028	2.8	3.3~4.2	2.74		6.5	2.44		0.6		2.8		+0.05 0		0.68	1
※ 13032	3.2	3.8~4.7	3.14		7.2	2.7		0.6		3.2		0.68		1	
※ 13037	3.7	4.3~5.3	3.64		8	3.1	+0.02 -0.2	0.7		3.7		0.78		1.2	
※ 13040	4	4.8~6.3	3.93		10	3.47		0.7		4		0.78		1.2	
13042	4.2	5~6.4	4.13		10	3.6		0.7		4.2		0.78		1.2	
※ 13050	5	5.8~7.3	4.93	11	4.4		0.7	5	0.78	1.2					
13058	5.8	6.6~8.2	5.73	12	5	+0.05 -0.25	0.7	5.8	0.78	1.2					
13060	6	6.9~8.6	5.93	12.7	5.2		0.9	6	+0.07 0	1	1.2				
※ 13064	6.4	7.3~9.1	6.32	13.5	5.6	+0.08 -0.25	0.9	6.4	+0.07 0	1	+0.08 0	1.2			
13074	7.4	8.4~10.3	7.31	15	6.3		0.9	7.4	1	1.5					
13080	8	9.2~11.3	7.91	16.5	6.9	+0.1 -0.3	1	8	1.1	1.7					

Notes: Items marked with ※ are also available as stacked package versions (change product code to 147 and first two digits of dimensions code to 47).

Product code	113	Material code	02...SUS304-CSP		Part Number Structure (Standardized Product Code)				
Surface code	01...Burnished	Hardness	HRC 37 - 46		Product: ①①③①②①① — ①①①①①① Surface: ①②①①①①① Material: ①①③①②①① Dimensions code: ①①①①①①				