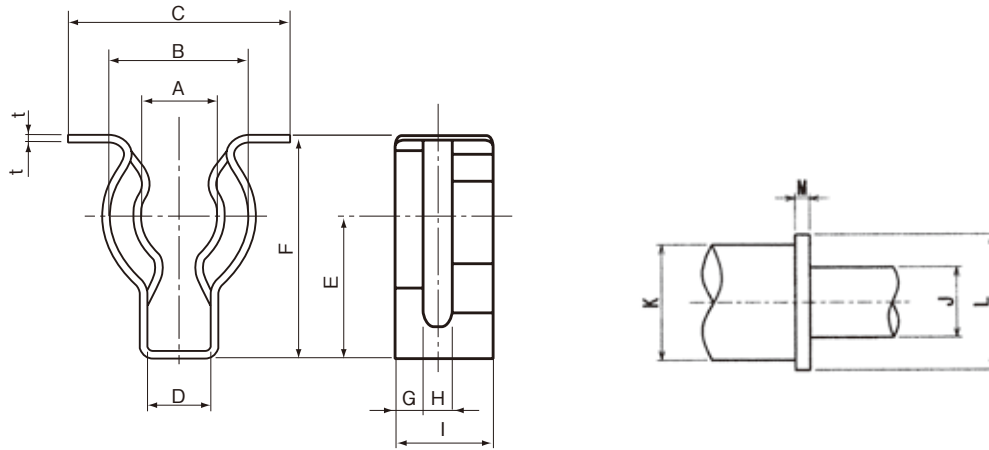


Joint Clips Different Diameter Type



Applicable Shafts

Unit: mm

Dimensions Codes	Nominals No.	Dimensions														Applicable Shafts				Thrust Load N		
		t		A		B		C	D	E	F	G		H		I		J	K		L	M
		Basic Dimension	Tolerance	Basic Dimension	Tolerance	Basic Dimension	Tolerance					Basic Dimension	Tolerance	Basic Dimension	Tolerance	Basic Dimension	Tolerance					
04010	4-10	0.5	±0.012	3.0		9.0		19.2	4.0	12.5	18.15	4.0		2.0		12.0		4.0	10.0	14.0	1.5	1,015.0
06013	6-13			5.0	±0.8	12.0	±0.8	22.45	5.2	14.0	22.14							6.0	13.0	17.0		2,490.9
10017	10-17	0.8	±0.03	8.6		15.6		25.7	7.2	16.3	25.33					13.0		10.0	17.0	20.0		2,481.1
14023	12.7-22			11.0		20.0		31.8		21.0	32.96	±0.1		±0.1		±0.1		12.7	22.0	26.0		4,207.1
	14-23			±1.0		±1.0		9.2				4.0				14.0		14.0	23.0	27.0	3.5	
16025	16-25	1.0	±0.04	13.0		22.0		40.3		21.5	33.46							16.0	25.0	29.0		4,364.0
-	18-28			16.7		26.7		45.65	10.0	26.4	41.65	5.0				16.0		18.0	28.0	34.0		4,471.8

- Notes: 1. The nominal sizes 12.7-22 and 14-23 are both the same size products.
2. The nominal size 18-28 is available upon request.

Product code	172	Material code	02...SUS304-CSP-H		Part Number Structure (Standardized Product Code)			
Surface code	01...Material texture		Hardness		Product: ① ⑦ ② ① ② ① — Surface: ① — Example: Nominal 12.7 Material: ① ⑦ ② ① ② ① — Dimensions: ① ④ ① ① ① ①			